



*Temperature, humidity, CO2 and pressure
regulator with RS485 serial output.*

Manual for ST485-101, STR485-102, STR485-104, STR485-104S,
STR485-103, ST485-101E, AT-VLS-101DRS, AT-VLS-102DRS,
STRP485-102 and STRP485-104

ATAL B.V.
Ampèrestraat 35-37
NL-1446 TR PURMEREND

Postbus 783
NL-1440 AT PURMEREND

T (+31) 0299 630 610
F (+31) 0299 630 611

E info@atal.nl
I www.atal.nl

Table of content

1.	General description	5
2.	Regulator mounting and connection	6
3.	Typical application wiring, connection of terminals	7
4.	Dimensions	7
5.	Description of device function and setting	10
5.1.	Device setting from the manufacturer	11
5.2.	Relay outputs.....	11
5.3.	Binary inputs	11
5.4.	Carbon dioxide concentration measurement	12
5.5.	Actual regulator preset.....	12
5.5.1.	Value assigned to output relay	12
5.5.2.	When close output relay	13
5.5.3.	Delay	13
5.5.4.	Hysteresis	14
5.5.5.	Regulator address setting	14
5.6.	Regulator setting change.....	14
5.6.1.	Setting with PC and TSensor software	14
5.6.2.	Setting with using regulator keys	15
5.6.3.	Setting with using of Modbus communication protocol	15
5.7.	Extended setting mode	15
5.8.	Restore to „Factory default“	21
6.	Description of communication protocols	22
6.1.	Modbus RTU	22
6.1.1.	Supported functions	22
6.1.2.	Jumper	23
6.1.3.	Modbus registers of the regulator	23
6.1.4.	Far controlling of output relays status	24
6.1.5.	Output relay alarm condition configuration with using of Modbus communication protocol²	25
6.2.	Protocol compatible with Advantech-ADAM standard.....	26
6.2.1.	Jumper	26
7.	Error States of the device	27
8.	Readings on LCD display	28
9.	Preventive maintenance and calibration	29
10.	Technical specification.....	29
10.1.	Technical parameters.....	29
10.1.1.	Common parameters	29
10.1.2.	ST485-101 - temperature regulator	30
10.1.3.	STR485-102 - relative humidity and temperature regulator	30
10.1.4.	STR485-104(P) - temperature and humidity regulator	31
10.1.5.	STR485-103 - relative humidity and temperature regulator	31
10.1.6.	ST485-101E - temperature regulator, external probe	31
10.1.7.	AT-VLS-101DRS - CO₂ regulator	31
10.1.8.	AT-VLS-102DRS – temperature, relative humidity and CO₂ regulator ..	32
10.1.9.	STRP485-102 – temperature, relative humidity and barometric pressure regulator	32
10.1.10.	STRP485-104 - temperature, relative humidity and Barometric pressure regulator	32

10.1.11.	Relative humidity and temperature restriction	33
10.1.12.	Value computed from measured relative humidity and temperature	33
10.2.	Operating conditions	34
10.3.	End of operation.....	35
10.4.	Technical support and service	36
11.	Appendix A	36
12.	Appendix B.....	37

General safety rules

The following summary is designed to prevent injury hazards or device damage. Operate the instrument in accordance with this manual to prevent electric trauma.

Service should be performed by a qualified person only.

Use a safety ac/dc adapter. Use only an adapter with the power voltage recommended by its manufacturer and which is approved by proper standards. Check that the adapter has undamaged cables and cover.

Connect and disconnect correctly. Do not connect and disconnect a lead-in cables if the device is under electric voltage.

Do not use the instrument without the cover.

Do not use the instrument, if it does not work correctly. If the instrument seems not to work correctly, have it checked by a qualified service person.

Do not use the instrument in an explosive environment.

Read instruction manual before the first device connection, please.

Before you remove probe of the transmitter HxxxxP, make sure that the pressure in a pressure chamber (duct, pipe ...) and the ambient pressure are in equilibrium.

1. General description

Regulators are designed for online monitoring of temperature (°C or °F), relative humidity and barometric pressure or carbon dioxide concentration. Some types contain three binary inputs for detection of binary signals too (see table below). Measured temperature and relative humidity are recomputed to following humidity expression: dew point temperature, absolute humidity, specific humidity, mixing ratio and specific enthalpy. It is possible to set correction for altitude (pressure offset) and to choose one of the following pressure units: hPa, kPa, mbar, mmHg, inHg, inH2O, PSI, oz/in2.

The device is equipped with two relay outputs for alarming or controlling of external devices. It is possible to assign any input value to each relay, to set comparing limit, delay, hysteresis, acoustic alarm or change its status by far control with using of Modbus communication protocol. The device communicates via link RS485.

The regulators are designed to be operated in a chemically non-aggressive environment.

Type	Temperature	Humidity	Pressure	CO ₂	Computed value	Binary inputs
ST485-101	✓	-	-	-	-	3x
STR485-102	✓	✓	-	-	✓	3x
STR485-104	✓	✓	-	-	✓	3x
STR485-104S*/	✓	✓	-	-	✓	3x
STR485-103	✓	✓	-	-	✓	3x
ST485-101E **/	✓	-	-	-	-	3x
AT-VLS-101DRS	-	-	-	✓	-	-
AT-VLS-102DRS	✓	✓	-	✓	✓	-
STRP485-102	✓	✓	✓	-	✓	3x
STRP485-104	✓	✓	✓	-	✓	3x

*/ The removable probe for compressed air measurement is noninterchangeable part of the device.
The protection of connector is IP67

**/ The type ST485-101E is designed for two wires connection of external Pt1000 temperature sensor.

Supported communication protocols are Modbus RTU and protocol compatible with standard Advantech-ADAM. Devices are preset from manufacturer to Modbus RTU communication protocol. If you would like to use different communication protocol then Modbus RTU, it is necessary preset them – see latter. Temperature, relative humidity and pressure sensors are non-removable instrument parts except ST485-101E device, that is designed for two wires connection of external Pt1000 temperature sensor. Measured and computed values are displayed on dual line LCD. It is also possible to display both readings with cyclic overwriting in 4 seconds interval. Display can be also switched OFF totally.

2. Regulator mounting and connection

Regulators are designed for wall mounting. Device must be mounted on the plane surface to prevent its deformation. Mounting holes and connection terminals are accessible after demounting of four screws in the corners of the box and removing the lid. There is recommended to use screws with half round head with cross-recessed screw ST 3.9 (DIN 7981). Lace the lead-in cable with outer diameter of 3 to 6.5 mm through the glands at the case wall and connect them according schematic below. Terminals are self-clamping and can be opened by a suitable screwdriver. For the opening, insert the screwdriver to smaller terminal hole and lever by him. Do not forget to tighten glands and case lid with inserted packing after cables connecting. **Insert attached plug into unused cable glands too.** Do NOT connect the regulator under voltage.

It is NOT recommended to use the device for long time under condensation conditions. It could be the cause of water steam condensation inside the sensor's cover into water phase. This liquid phase stays inside sensor's cover and can't escape from the cover easily. It can dramatically increase response time to relative humidity change. If water condensation occurs for longer time it can cause sensor damage. Similar effect can occur under water aerosol conditions.

External temperature probe connectable to regulator must be type of "two wires with shielding". The probe cable length and size of conductor affects measurement accuracy.

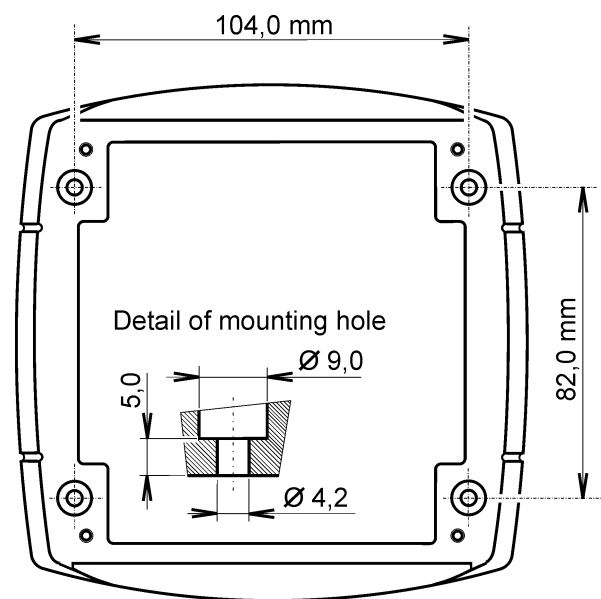
If connected probe is equipped with metal stem, we recommend using probes with metal stem not connected to cable shielding. Or else it is necessary to arrange metal stem is not connected to any other circuitry. Maximum probe cable length is 10 m. Connect probe cable shielding to proper terminal and do not connect it to any other circuitry and do not ground it.

The cables for binary inputs and external sensor for regulator must be placed as far as possible from potential interference sources.

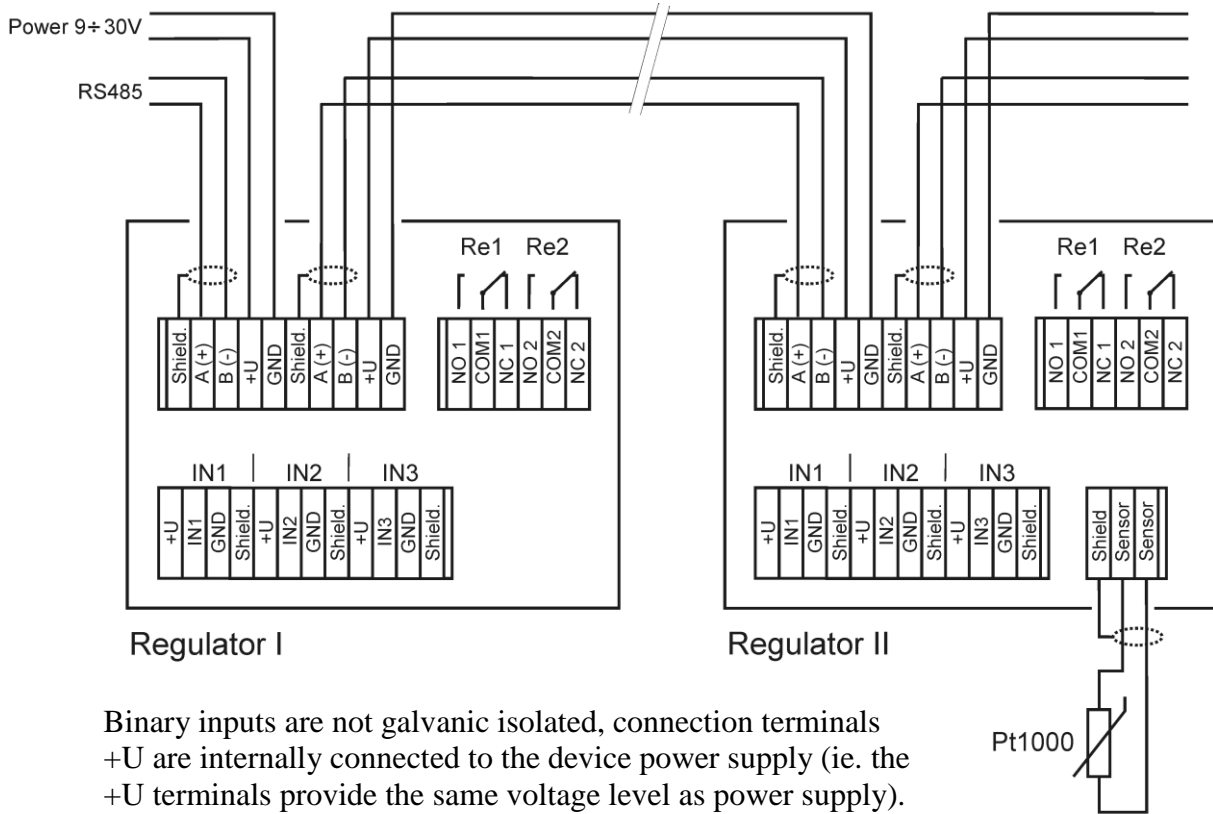
For devices with RS485 output there is recommended to use shielded twisted copper cable, maximal length 1200m. The cable must be located at indoor rooms. Nominal cable impedance should be 100 Ω , loop resistance max. 240 Ω , cable capacity max. 65 pF/m. Outside diameter of the cable for regulator connection must be from 3 to 6.5 mm. Suitable cable is e.g. SYKFY 2x2x0.5 mm², where one wire pair serves for device powering and the other pair for communication link. The cable should be led in one line, i.e. NOT to „tree“ or „star“. Termination resistor should be located at the end. For short distance other topology is allowed. Terminate the network by a termination resistor. The value of the resistor is recommended about 120 Ω . For short distance termination resistor can be left out. The cable should not be led in parallel along power cabling. Safety distance is up to 0.5 m, otherwise undesirable induction of interference signals can appear.

Electrical system (wiring) may be done only by a worker with required qualification by rules in operation.

The device STR485-104S is designed to measure pressured air. It is good to mount probe directly into high pressure area (i.e. air pressured pipe) if it is possible. There is other possibility to use flow chamber SH-PP, see Appendix B.

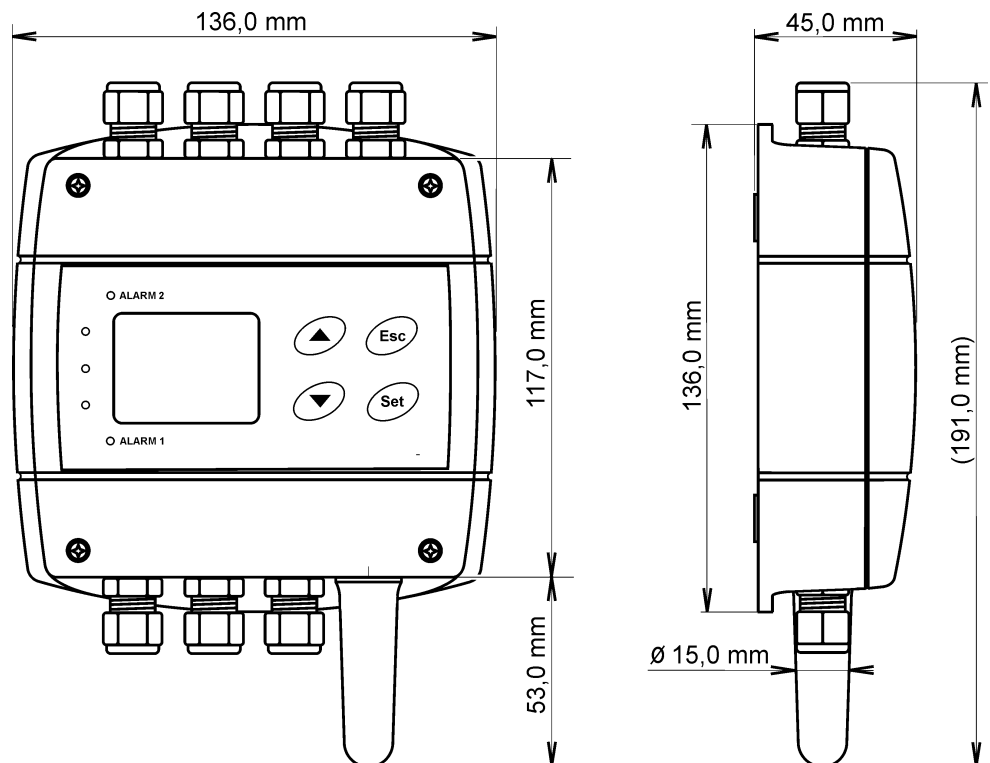


3. Typical application wiring, connection of terminals

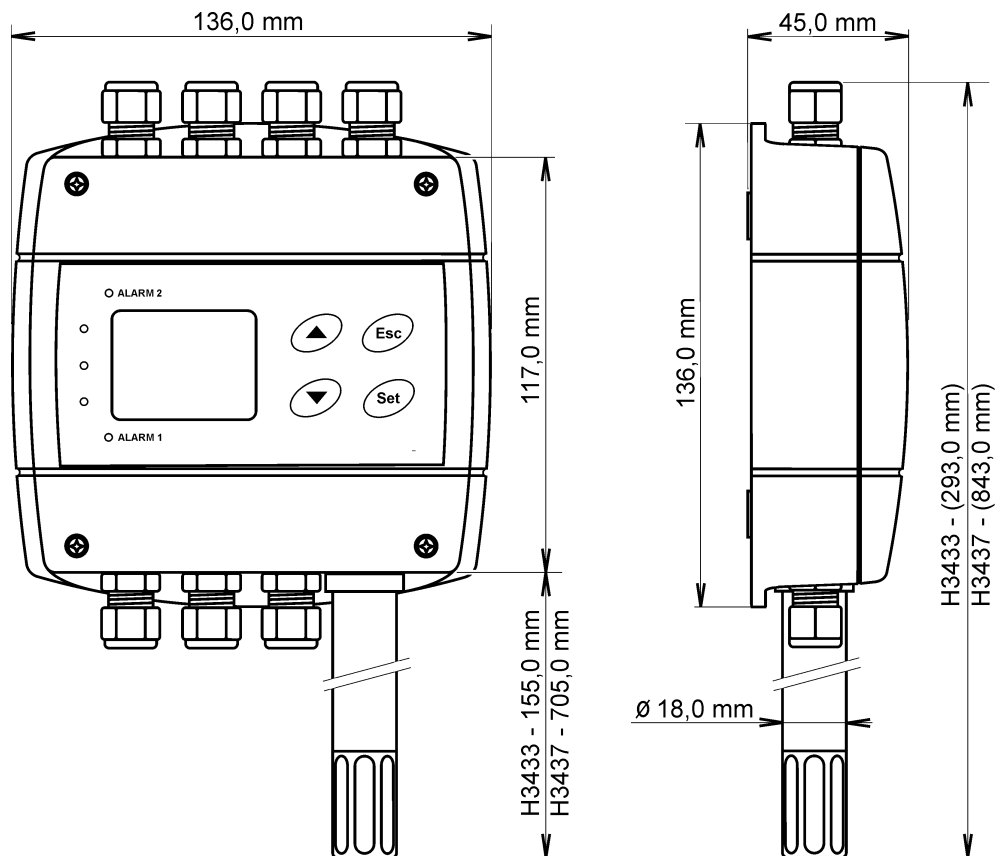


4. Dimensions

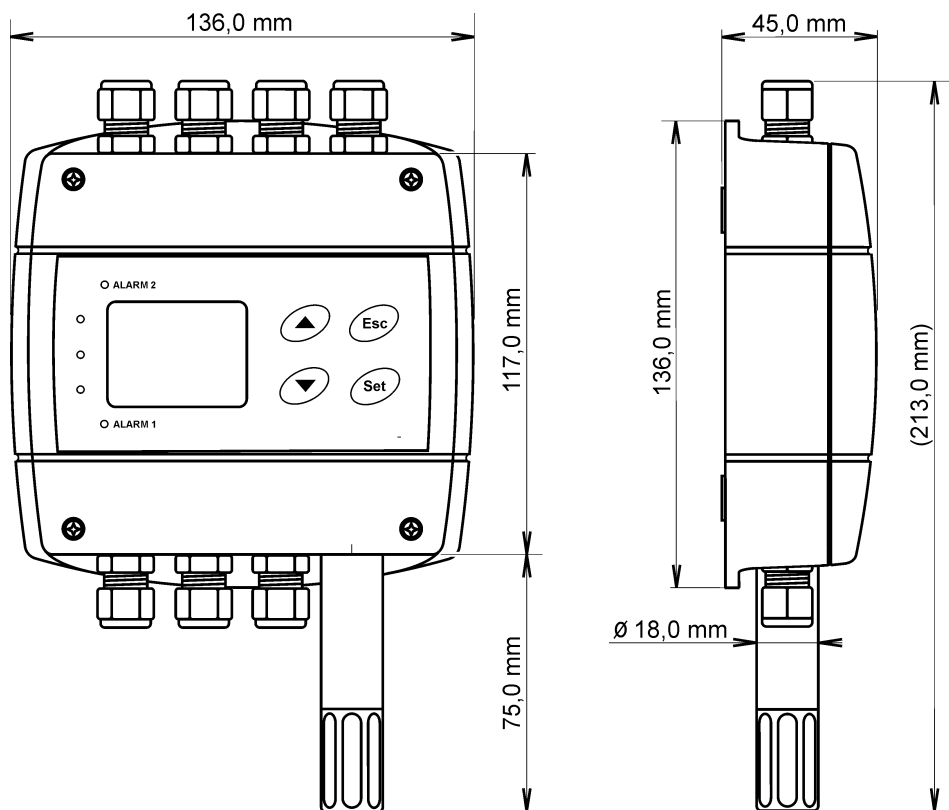
ST485-101



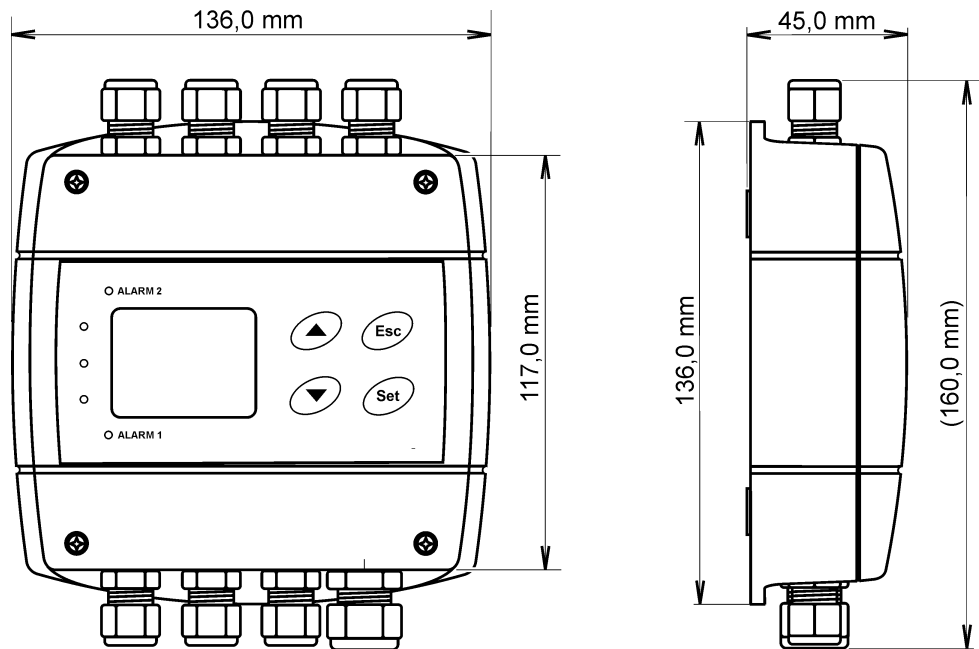
STR485-103



STR485-102 STRP485-102

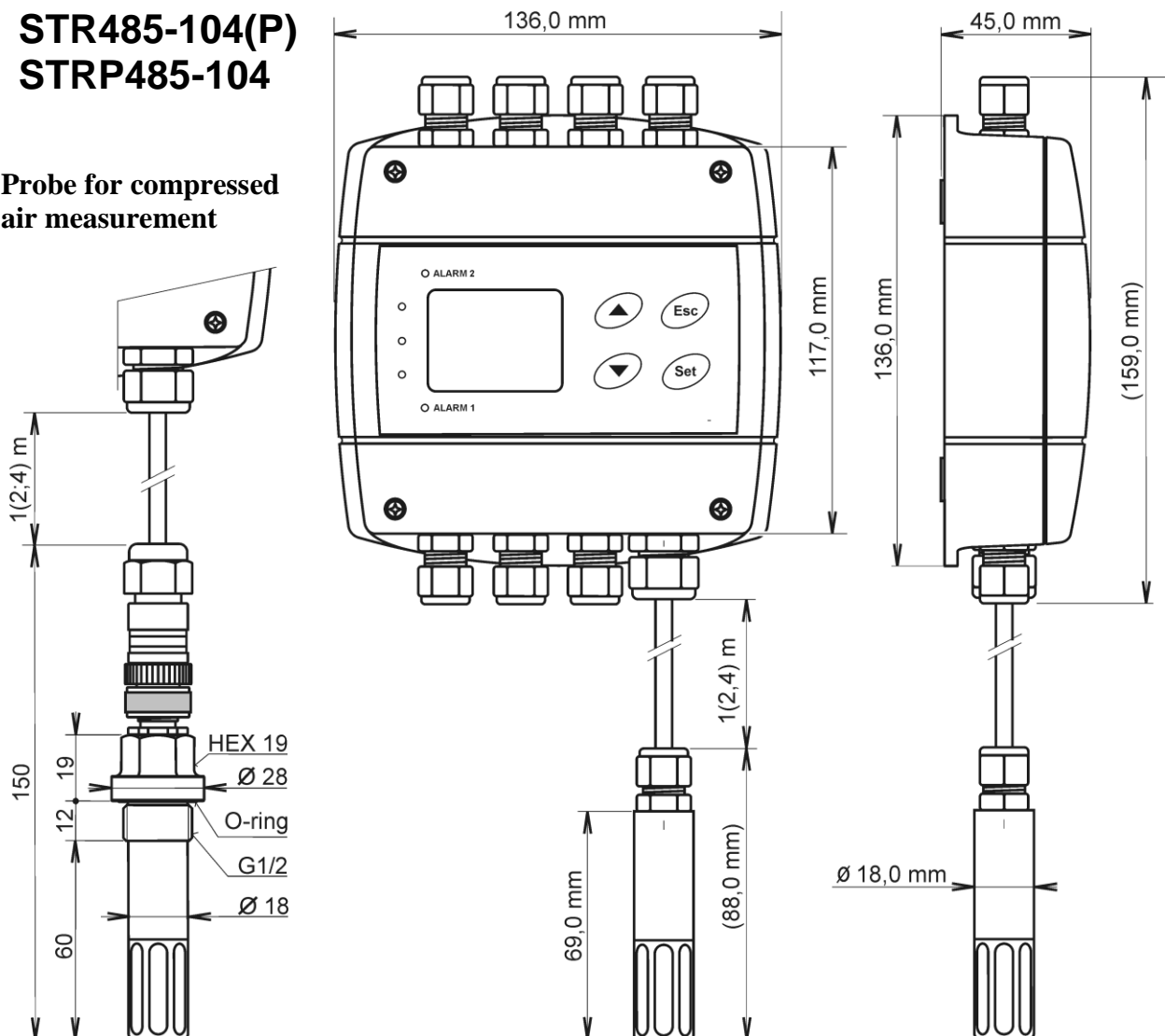


ST485-101E

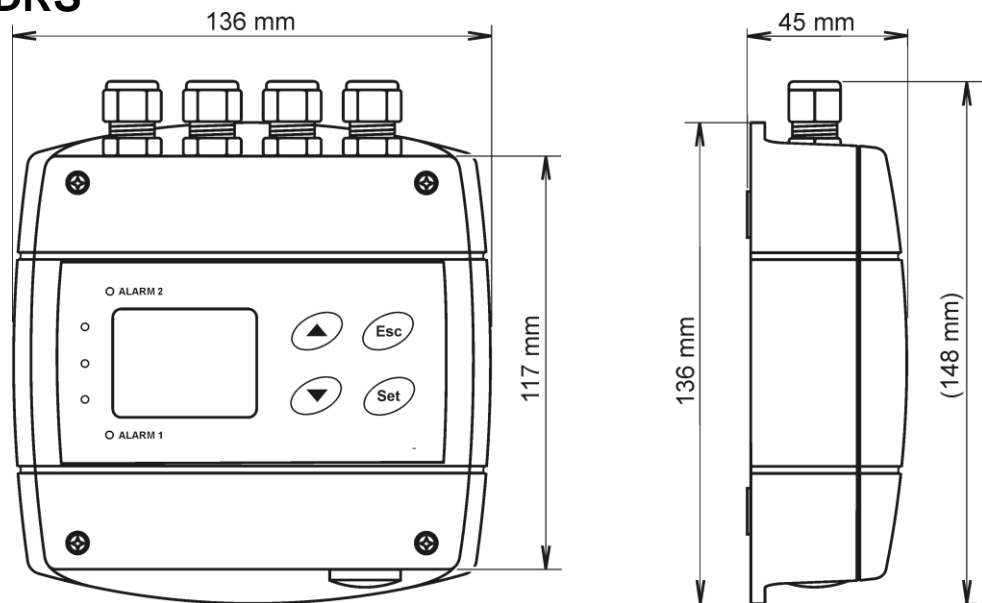


STR485-104(P) STRP485-104

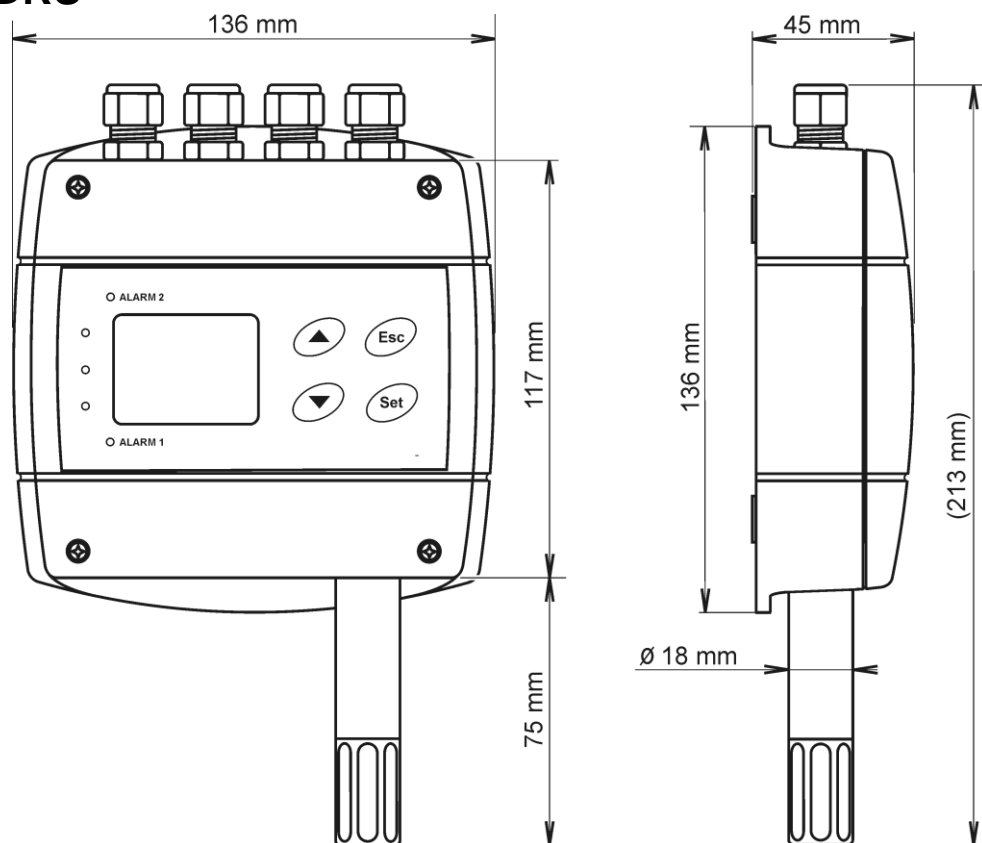
Probe for compressed air measurement



AT-VLS-101DRS



AT-VLS-102DRS



5. Description of device function and setting

Information from regulator is available directly through LCD or you can read them with one of next communication protocols (Modbus RTU, Advantech-ADAM).

5.1. Device setting from the manufacturer

If special setting was not required in the order, regulator is set from the manufacturer to the following parameters:

communication protocol:	Modbus RTU
regulator address:	1
communication speed:	9600Bd, no parity, 2 stop bits
Value assigned to relay 1 and relay 2:	none
Password for setting through keys (PASS):	0000
LCD display:	on
value shown at first LCD line:	temperature, temperature / pressure, CO₂, temperature / CO₂ – by device type
value shown at second LCD line:	relative humidity / dew point temperature
temperature unit:	°C
pressure unit:	hPa
correction for altitude:	0 hPa (absolute pressure)
computed value preset:	dew point temperature
relay response for error:	stay unchanged at previous condition
signalization of binary inputs status:	LED diode lights if input contact is open
acoustic alarm:	off
LED indication of CO ₂ concentration	up to 1000 ppm lights green LED, between 1000 and 1200 ppm lights yellow LED and over 1200 ppm lights red LED

5.2. Relay outputs

Regulator is equipped with two relay outputs. It is possible to assign any input or computed value or “Far condition” (see chapter 6.1.4 ***Far controlling of output relays status*** at page 24) to each relay, to set comparing alarm limit, if the relay may close if measured value is higher (Hi) or lower (Lo) than preset limit, delay for while must be preset condition true before relay close its contact and hysteresis for return to open status. For binary inputs: if it is preset to „HI“ then output relay is closed when input contact is opened, if it is preset to „Lo“ then output relay is closed when input contact is closed. Each relay status is indicated with LED diode and shown on LCD with corresponding symbols „**ALARM 1**“ or „**ALARM 2**“.

The output relays of device are not able to switch power circuits or higher voltages. In such case we should use suitable type of power relays with coil in accordance to chapter “Common parameters”. For wiring see Appendix A.

5.3. Binary inputs

It is possible to read three binary inputs status. It is possible to connect “open contact” or external voltage. Auxiliary power supply +U terminal can be used to supplying of external sensors and detectors. Visualization of binary inputs is done by three LED diodes placed on the left side from LCD. Green one represents input Binary 1, yellow input binary 2 and red input binary 3. If binary input is not connected or is without any signal, then binary input is interpreted as „1“, when input contact is closed (connected input), then binary input is interpreted as „0“. For each binary input there is possible to set indication LED function – if is lighting when binary input is closed or opened. Binary input status can be assigned to any of output relays. It is possible to choice if output relay is closed or opened when binary input is closed/opened.

5.4. Carbon dioxide concentration measurement

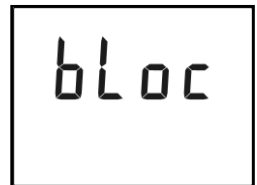
Device measurement principle is based on Non-Dispersive Infrared Technology (NDIR). It is maintenance free because of the patented autocalibration feature, compensating for the effects of aging and therefore a guarantee for outstanding long-term stability. If the device is in operation permanently, an auto-adjustment will start automatically after 24 hours operation each.

Measured values can be read in „SLOW mode“ (filtered, averaged) or in „FAST mode“ (current values without averaging). SLOW mode has advantages in applications like climate control because of filtering short time peaks. As an example exhaled air from an employee passing the sensor could affect the climate control negatively with a short response time because the control would trigger a change of the ventilation based on this one-time measurement.

On the left LCD side there are placed three LEDs for CO₂ zone level indication. Parameter setting description is into chapter 5.6 *Regulator setting change* at page 14. After power up there is internal check in progress and takes about 20s. During this time LCD display shows (----) instead of CO₂ concentration value.

5.5. Actual regulator preset

It is possible to display actual regulator preset on its LCD display by pressing of „▲“ key. . If „Output relay alarm condition configuration with using of Modbus communication protocol“ is active (Remote Control), then device’s LCD display shows text „bloc“. It means, device’s keyboard is disabled for time of remote control (setting change), see chapter 6.1.5 at page 25. LCD shows information about relay 1 and then relay 2 setting step by step. Information about relay 1 are indicated with symbol „ALARM 1“, for relay 2 with symbol „ALARM 2“ (at right top corner of LCD). It is possible to edit parameters after pressing „SET“ key and entering of correct password „PASS“ – see chapter 5.7 at page 15. Following examples are for relay 1 setting, similarly are displayed values for relay 2. Pressing of „ESC“ key ends this mode and switch to actual value displaying, the same occur if more than 20 s is not pressed any key.



5.5.1. Value assigned to output relay

None, relay is still off



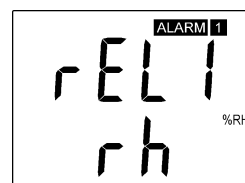
Computed value – dew point temperature

Temperature at °C

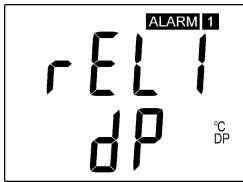


Barometric pressure

Relative humidity



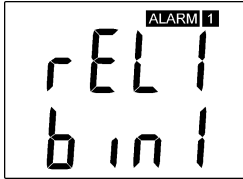
CO₂



Binary input 1, input 2 and 3 similarly

far condition 0

far condition 1



FAR0 – „far condition 0“: after device’s power on the relay is open

FAR1 – „far condition 1“: after device’s power on the relay is close

If “far condition” is assigned to output relay, then there is possible to change the output relay status by Modbus communication protocol only. See chapter 6.1.4 Far controlling of output relays status at page 24

5.5.2. When close output relay

Preset if relay is closed when actual value is higher „HI“ or lower „Lo“ than preset value.

Value higher than 26.5 °C

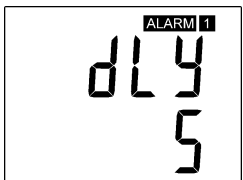
Value lower than 26.5 °C



5.5.3. Delay

Time in seconds, when preset condition must be true and after this time output relay is closed (transient reduction of measured value)

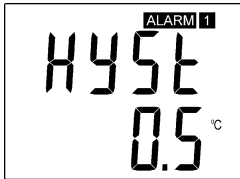
Delay in [s]



5.5.4. Hysteresis

The amount of measured value which must go under/over preset value to open appropriate output relay. It means if there is condition: relay 1 must be closed if measure value is “higher then” (HI), then measured value must decrease by this value under preset limit to relay output goes open. If condition of relay is: relay 1 must be closed if measured value is “lower than” (Lo), then measured value must be increased by this value over preset limit to relay output goes open.

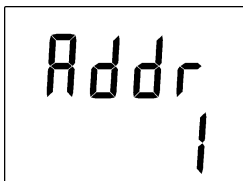
Preset hysteresis value



5.5.5. Regulator address setting

Regulator address for preset communication protocol

RS485 network regulator address



5.6. Regulator setting change

5.6.1. Setting with PC and TSensor software

User's software **TSensor** is available free to download at web page www.atal.nl. It provides **setting of all regulator parameters**. Run the TSensor program and follow the program instructions. Regulator includes hardware write protection of internal setting, new setting is possible to write only while:

1. during write period press „SET“ key – do requested setting in TSensor software, press „SET“ key on regulator and keep it down, then click on the button „Save Changes“ into TSensor software and after end of write release „SET“ key, or
2. jumper placed nearby keys is closed (jumper is accessible after demounting of four screws in the corners of the box and removing the lid). This jumper is suitable e.g. until device adjustment is in process and regulator is placed into calibration box and keys are not accessible. Don't forget to remove (open) jumper after procedure finish (restore write protection)

TSensor software supports to make the adjustment of the regulator too.

5.6.2. Setting with using regulator keys

If „Actual regulator preset” is displayed (see chapter “Actual regulator preset” at page 12), it is possible to enter into edit mode and edit displayed value by pressing „SET” key. Then you are asked for valid password (PASS). You can edit selected value if right password is entered. During value editing there is range check executed and edited value is still compared with limits for corresponding value (range). If inserted value is higher or lower then edited number is automatically changed to its maximum / minimum value – for possible range see chapter „Technical parameters” at page 29. Value can be changed with using „▲” and „▼” keys. Edited value is switched in “round” -9, -8, -7, ... -2, -1, 0, 1, 2, ... 8, 9. To edit next number digit press „SET” key, for moving back to previous digit press „ESC” key. Edited value is stored by next „SET” key pressing. It is possible to cancel editing by pressing „ESC” key if necessary. If valid password is once inserted right, then there is possible to edit next items without asking for password insertion again, till “Actual regulator preset” is left (till actual measured values are shown). With new entering into edit mode it is necessary to enter Password again. Default password setting is preset from manufacturer to 0000, password change is possible into „Extended setting”. During edit mode regulator still works and changes are valid immediately after its storing – it is NOT necessary to restart regulator.

5.6.3. Setting with using of Modbus communication protocol

See chapter 6.1.5 *Output relay alarm condition configuration with using of Modbus communication protocol*² at page 25.

5.7. Extended setting mode

During regulator operation it is possible to change parameters available through “Actual regulator preset” only (see chapter 5.5 at page 12). Rest of regulator parameters are available through “Extended setting mode”. **In this mode regulator does NOT communicate, does NOT do any measurements and does NOT service output relays. To leave this mode press „ESC” key and open jumper nearby keys.**

To enter into Extended setting mode do following steps:

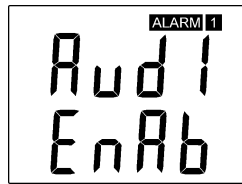
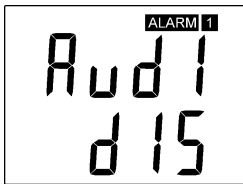
1. disconnect power supply
2. demount four screws in the corners of the box and remove the lid
3. closed jumper placed nearby keys
4. press „▲” and „▼” keys together and keep them down
5. connect power supply to regulator – you should see message „SEL” on the top line of LCD and on the bottom line you should see number of Firmware version (e.g. 0404)
6. release „▲” and „▼” keys – you are into “Extended setting mode” now

Use „▲” and „▼” keys to inspect each items. If you want to change some shown item then press „SET” key, item starts blink. Now you can edit setting with using „▲” and „▼” keys. To store preset value press „SET” key. Press „ESC” key to leave editing (changing) without save – last stored value is kept.

Acoustic alarm assign to relay 1

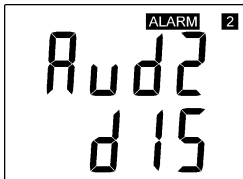
acoustic indication of relay 1 is OFF

close of relay 1 contact starts acoustic indication



Acoustic alarm assign to relay 2

acoustic indication of relay 2 is OFF



close of relay 2 contact starts acoustic indication



Acoustic alarm deactivation

activated acoustic alarm is possible to deactivate by pressing „ESC“ key



acoustic alarm is still activated for all time and it is impossible to deactivate it



Relay response for error

Regulator continuously checks its state during operation. In case error of assigned value measurement is found then output relay 1 (relay 2):

stays unchanged (in previous status)



relay 1 switch OFF



relay 1 switch On



stays unchanged (in previous status)



Relay 2 switch OFF



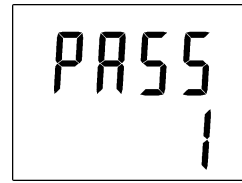
Relay 2 switch On



Change of “Password for setting through keys” (PASS)

This item shows actual password setting. It is possible to change it after „SET“ key pressing. It is number from range - 19999 to +19999

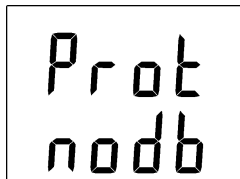
password setting



Choice of communication protocol

Choice of communication protocol for communication with master device

protocol Modbus



*protocol Advantech-Adam
without check sum*



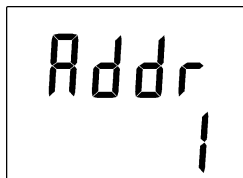
*protocol Advantech-Adam
with check sum*



Regulator address setting

Regulator address for preset communication protocol

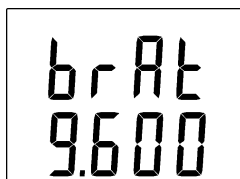
RS485 network regulator address



Communication speed

Communication speed for preset communication protocol

communication speed setting

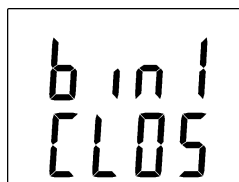
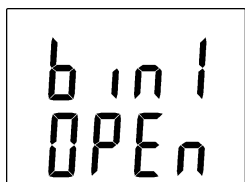


Visualization of binary inputs

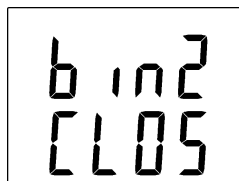
Visualization of inputs is done by three LED diodes. This option defines at which binary input status should LED diode indication lights – LED diode lights if binary input is OPEN or CLOSED.

LED lights if binary input is OPEN LED lights if binary input is CLOSED

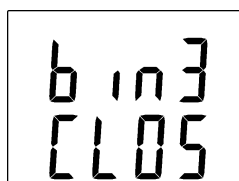
Binary input 1



Binary input 2



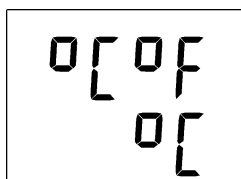
Binary input 3



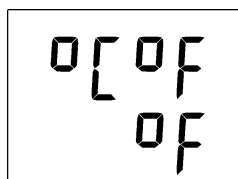
Temperature unit choice

It is possible to measure temperature at °C or °F. There is shown preset unit. It is possible to change it after „SET“ key pressing.

preset to °C



preset to °F



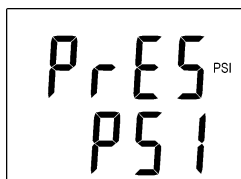
Barometric pressure unit choice

It is possible to measure barometric pressure at hPa, PSI, inHg, mBar, oz/in², mmHg, inH₂O and kPa. There is shown preset unit. It is possible to change it after „SET“ key pressing.

preset to hPa



preset to PSI



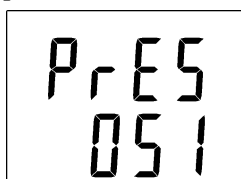
preset to inHg



preset to mBar



preset to oz/in²



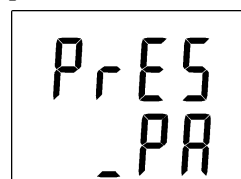
preset to mmHg



preset to inH₂O



preset to kPa

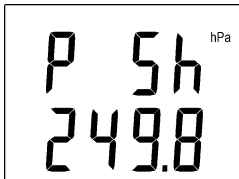


Setting of pressure correction for altitude

If it is necessary to read value of barometric pressure corrected with respect to altitude, it is possible to set corresponding pressure offset for this altitude. It is possible to change it after “SET” key pressing. Pressure correction value is then automatically added to measured pressure value. See chapter “Error States of the device” at page 27, Error 2.

correction for altitude

pressure correction value is from



-25,0 to 650,0 hPa
 -0,363 to 9,427 PSI
 -0,74 to 9,19 inHg
 -25,0 to 650,0 mBar

-5,8 to 150,8 oz/in²
 -18,8 to 487,5 mmHg
 -10,0 to 261,0 inH₂O
 -2,5 to 65 kPa

CO₂ measurement mode selection

This item provides to choice if measured value is displayed and read in “SLOW” or “FAST” mode. “FAST” mode provides last measured value without averaging; this means that no software filter is used for calculating the output value. This fact adds a noise of typ. ±30ppm which has to be considered in terms of accuracy. “SLOW” mode provides value averaged from last 11 “FAST” measured values.

averaged value „SLOW“ mode

current value without averaging „FAST“ mode



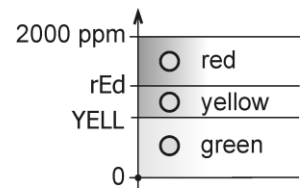
CO₂ zone level indication setup

Up to 1000 ppm lights green LED, between 1000 and 1200 ppm lights yellow LED and over 1200 ppm lights red LED.

Whole measuring range can be divided into three areas. Each active area there is indicated by green, yellow or red LED depends on actual measured value. It is done by two boundary limits setting.

„YELL“ limit sets boundary between green and yellow indication. It

means that if actual measured value is lower than „YELL“ limit, there is green LED active. If actual measured value is higher than „YELL“ limit, then there is yellow LED active. Yellow LED lights until actual measured value exceeds „RED“ limit. If actual value is higher than „RED“ limit, red LED is active. If you don't want to use this indication then set “YELL” limit to 0.



„YELLOW“ limit setting

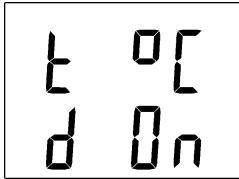
„RED“ limit setting



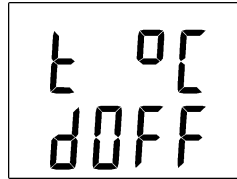
Show temperature at LCD display

This item provides to choice if actual measured temperature may be displayed at LCD display or not. It is possible to change it after „SET“ key pressing.

show value on LCD



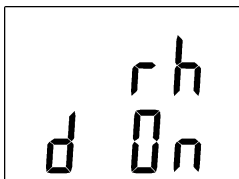
don't show value on LCD



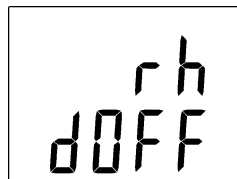
Show relative humidity at LCD display

This item provides to choice if actual measured relative humidity may be displayed at LCD display or not. It is possible to change it after „SET“ key pressing.

show value on LCD



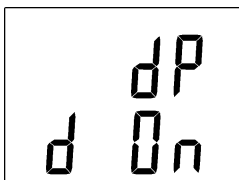
don't show value on LCD



Show computed value at LCD display

This item provides to choice if actual computed value may be displayed at LCD display or not. There is shown the name of computed value on the top LCD line – see “Computed value selection“ below. It is possible to change it after „SET“ key pressing.

show value on LCD



don't show value on LCD

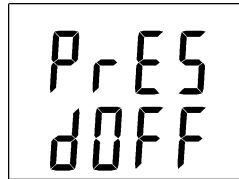


Show barometric pressure at LCD display

This item provides to choice if actual barometric pressure may be displayed at LCD display or not. It is possible to change it after „SET“ key pressing.

show value on LCD

don't show value on LCD



Show CO₂ concentration at LCD display

This item provides to choice if CO₂ value may be displayed at LCD display or not. It is possible to change it after „SET“ key pressing.

show value on LCD



don't show value on LCD



Computed value selection

It shows the actually selected computed value name. It is possible to change it after „SET“ key pressing. There is possible choice one of the following computed values:

dew point temperature



absolute humidity



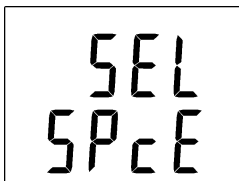
mixing ratio



specific humidity



specific enthalpy



5.8. Restore to „Factory default“

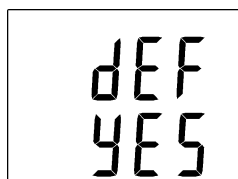
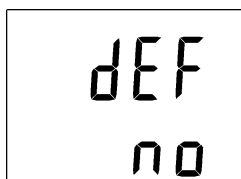
This item provides regulator restoring to factory setting. Press „SET“ key, select „YES“ and confirm it by pressing of „SET“ key. It reset regulator parameters to following values:

communication protocol:
regulator address:
communication speed:

Modbus RTU
1
9600Bd, no parity, 2 stop bits

value assigned to relay 1 and relay 2: **none**
 password for setting through keys (PASS): **0000**
 display: **on**
 value shown at first LCD line: **temperature, temperature / pressure, CO₂,
 temperature / CO₂ – by device type**
 value shown at second LCD line: **relative humidity / dew point temperature**
 temperature unit: **°C**
 pressure unit: **hPa**
 correction for altitude: **0 hPa (absolute pressure)**
 computed value preset: **dew point temperature**

restore to factory default



6. Description of communication protocols

Detailed description of each communication protocols including examples of communication is available in individual document “*Description of communication protocols*” which is free to download at www.atal.nl.

After switching ON the power of the device it can last up to 3 s before the device starts to communicate and measure !!!

6.1. Modbus RTU

Control units communicate on master-slave principle in half-duplex operation. Only master can send request and only addressed device responds. During sending of request no other slave station should respond. During communication, data transfer proceeds in binary format. Each Byte is sent as eight bit data word in format: 1 start bit, data word 8 bit (LSB first), 2 stop bits¹, without parity. Device supports communication speed from 110Bd to 115200Bd.

Sent request and response have syntax: ADDRESS OF DEVICE – FUNCTION – Modbus CRC

6.1.1. Supported functions

- 03 (0x03):** Reading of 16-bit registers (Read Holding Registers)
- 04 (0x04):** Reading of 16-bit input gates (Read Input Registers)
- 06 (0x06):** Setting of one 16-bit register (Write Register)
- 16 (0x10):** Setting of more 16-bit registers (Write Multiple Registers)

¹ Device sends two stop bits, for receive one stop bit is enough.

6.1.2. Jumper

Jumper (placed nearby keys) is accessible after demounting of four screws in the corners of the box and removing the lid. If communication protocol Modbus is selected the function of jumper is as follows:

- Jumper opened – device memory is protected from writing, from device side it is only enabled to read measured value, writing to memory is disabled (no change of settings is enabled)
- Jumper closed – writing to regulator memory is enabled

6.1.3. Modbus registers of the regulator

Variable	Unit	Address [hex] ^X	Address [dec] ^X	Format	Size	Status
measured temperature	[°C/°F]*	0x0031	49	Int*10	BIN16	R
measured relative humidity	[%]	0x0032	50	Int*10	BIN16	R
computed value*		0x0033	51	Int*10	BIN16	R
relay 1 status [0/1] (Alarm 1)	[-]	0x003B	59	Int	BIN16	R
relay 2 status [0/1](Alarm 2)	[-]	0x003C	60	Int	BIN16	R
binary input 1 status [0/1]	[-]	0x003D	61	Int	BIN16	R
binary input 2 status [0/1]	[-]	0x003E	62	Int	BIN16	R
binary input 3 status [0/1]	[-]	0x003F	63	Int	BIN16	R
status of all binary inputs (bit0, 1, 2)	[-]	0x0008	8	Int	BIN16	R
status word (described below)	[-]	0x0007	7	Int	BIN16	R
device serial number Hi	[-]	0x1035	4149	BCD	BIN16	R
device serial number Lo	[-]	0x1036	4150	BCD	BIN16	R
firmware version Hi	[-]	0x3001	12289	BCD	BIN16	R
firmware version Lo	[-]	0x3002	12290	BCD	BIN16	R
device address	[-]	0x2001	8193	Int	BIN16	R/W**
communication speed code	[-]	0x2002	8194	Int	BIN16	R/W**

Addition for STRP485-102 and STRP485-104 regulators with barometric pressure measurement:

Variable	Unit	Address [hex] ^X	Address [dec] ^X	Format	Size	Status
barometric pressure	hPa	0x0034	52	Int*10	BIN16	R
	PSI			Int*1000		
	inHg			Int*100		
	mBar			Int*10		
	oz/in ²			Int*10		
	mmHg			Int*10		
	inH ₂ O			Int*10		
	kPa			Int*100		

For devices with CO₂ measurement

Variable	Unit	Address [hex]	Address [dec]	Format	Size	Status
----------	------	---------------	---------------	--------	------	--------

CO ₂ concentration displayed on LCD	ppm	0x0034	52	Int	BIN16	R
CO ₂ concentration „FAST“ mode value	ppm	0x0054	84	Int	BIN16	R
CO ₂ concentration „SLOW“ mode value	ppm	0x0055	85	Int	BIN16	R

Legend:

- * depends on device setting (by User’s software)
- Int*10 register is in format integer *10 (likewise *100, *1000)
- R register is designed only for reading
- W** register is designed for writing, but direct write is not available, for details see description of communication protocols
- x at transmit are register addresses indexed from zero - „zero based addressing“. For example „measured temperature“ with Modbus address 0x31 is physically sent along data bus as value 0x30. You make sure of correct addressing with the aid of Master device documentation or experimentally (e.g. for „measured temperature“ try to use address 0x31 or 0x30).
- Status word: 16b value return, bit description:
 - Bit0 0/1 jumper open/closed
 - Bit1 - unused
 - Bit2 0 always 0
 - Bit3 0/1 relay 1 open/closed
 - Bit4 0/1 relay 2 open/closed
 - Bit5 0/1 internal acoustic alarm status
 - Bit6 0/1 binary input 1 status
 - Bit7 0/1 binary input 1 status
 - Bit8 0/1 binary input 1 status
 - Bit9 to 15 unused

Note: In case there is a need for reading of measured values from the device with higher resolution than one decimal, measured values in device are stored also in „Float“ format, which is not directly compatible with IEEE754.

6.1.4. Far controlling of output relays status²

There is possible to control output relay status (open/close) with using of Modbus communication protocol. To this function enable, there is necessary to assign one of following options to relay:

- FAR0 – „Far condition 0“, it means, after power up output relay will be open, or
- FAR1 – „Far condition 1“, it means, after power up output relay will be close.

Then there is possible to change relay status by Modbus communication protocol command by requested value writing to following addresses:

Function	Address [hex] ^X	Address [dec] ^X	Description	Status
Far condition for relay 1	0x0042	66	0 ... relay1 open 1 ... relay 1 closed	R/W

² This function is available from firmware version 04.06. If older firmware used, update your firmware or contact device’s distributor.



Far condition for relay 2	0x0043	67	0 ... relay 2 open 1 ... relay 2 closed	R/W
---------------------------	--------	----	--	-----

6.1.5. Output relay alarm condition configuration with using of Modbus communication protocol ²

With Modbus communication protocol there is possible to set regulator's parameters described at chapter 5.5 **Actual regulator preset** at page 12. Follow next steps:

- 1) To address 0x0044 (68) write value 1 – it enables Modbus setting. By the way it blocks regulator's keyboard – local keyboard is blocked during remote control setting change.
- 2) Write the desired settings / changes to the addresses from 0x0045 (69) to 0x004E (78). New setting can be done simultaneously or each register can be written alone
- 3) To address 0x004F (79) write value 1. Once this step is done, new setting is physically stored into device memory (confirm change). Then registers 0x004F (79) and 0x0044 (68) are automatically cleared (zero). It automatically unlocks the keyboard too.

Whole setting process can be cancelled by writing value 0 to address 0x0044 (68). At this time no changes are stored and last setting stays valid.

Function	Unit	Address [hex] ^X	Address [dec] ^X	Description	Status
Modbus Remote Control	[-]	0x0044	68	0 ... disable 1 ... enable (for this time device's keyboard is blocked, if key is pressed, message BLOC is shown)	R/W
Value assigned to output relay 1	by value	0x0045	69	0 ... Off 1 ... temperature 2 ... relative humidity 3 ... atmospheric pressure (CO ₂ concentration) 4 ... computed value 5 ... binary input 1 6 ... binary input 2 7 ... binary input 3 8 ... Far condition 0 9 ... Far condition 1	R/W
When close relay 1	[-]	0x0046	70	0 ... alarm occurs, when measured value is LOWER than preset alarm value 1 ... alarm occurs, when measured value is HIGHER than preset alarm value	R/W
Alarm value for relay 1	by value	0x0047	71	preset alarm value (threshold)	R/W
Delay for relay 1	[sec]	0x0048	72	Time in seconds Time in seconds that the condition must be valid to evaluate alarm	R/W
Hysteresis of relay 1	by value	0x0049	73	Value which must be set back below / above a given threshold in order to open the relay	R/W

Function	Unit	Address [hex] ^X	Address [dec] ^X	Description	Status
Value assigned to output relay 2	by value	0x004A	74	0 ... Off 1 ... temperature 2 ... relative humidity 3 ... atmospheric pressure (CO ₂ concentration) 4 ... computed value 5 ... binary input 1 6 ... binary input 2 7 ... binary input 3 8 ... Far condition 0 9 ... Far condition 1	R/W
When close relay 2	[-]	0x004B	75	0 ... alarm occurs, when measured value is LOWER than preset alarm value 1 ... alarm occurs, when measured value is HIGHER than preset alarm value	R/W
Alarm value for relay 2	by value	0x004C	76	preset alarm value (threshold)	R/W
Delay for relay 2	[sec]	0x004D	77	Time in seconds Time in seconds that the condition must be valid to evaluate alarm	R/W
Hysteresis of relay 2	by value	0x004E	78	Value which must be set back below / above a given threshold in order to open the relay	R/W
Confirm changes	[-]	0x004F	79	Read always as 0 write 1 ... physically stores new setup into device's memory, at the end the register is automatically reset to zero.	R/W

All registers contains 16b number. Communication examples are listed in a separate document entitled "Description of communication protocols".

6.2. Protocol compatible with Advantech-ADAM standard

Control units communicate on master-slave principle in half-duplex operation. Only master can send requests and only addressed device responds. During sending request any of slave devices should respond. During communication data is transferred in ASCII format (in characters). Each Byte is sent as two ASCII characters. Device supports communication speed from 1200Bd to 115200Bd, parameters of communication link are 1 start bit + eight bit data word (LSB first) + 1 stop bit, without parity.

6.2.1. Jumper

Jumper (placed nearby keys) is accessible after demounting of four screws in the corners of the box and removing the lid. If communication protocol compatible with standard Advantech-ADAM is selected, its function is the following:

- If jumper during switching ON the power is closed, device always communicates with following parameters regardless stored setting in the device:
communication speed 9600 Bd, without check sum, device address 00h
- If jumper during switching ON the power is not closed, device communicates in accordance with stored setting.

- If jumper is closed during device operation, device temporarily changes its address to 00h, it will communicate in the same communication speed as before closing jumper and will communicate without check sum. After jumper is opened setting of address and check sum is reset in accordance with values stored in the device.
- Communication speed and check sum are possible to change only if jumper is closed.
- Jumper closed and button pressed for longer than six seconds – causes restoring of manufacturer setting **of communication protocol**, i.e. sets Modbus RTU communication protocol, device address sets to 01h and communication speed to 9600Bd (after button press there is “dEF” message blinking at LCD display. Six seconds later message “dEF” stays shown, it means manufacturer setting **of communication protocol** is done).

For communication with device which measure more than one value, there is necessary to add at the end of command, number of communication channel, where the measured value is mapped. Command for value reading is #AAx(CRC) CR, where AA is device address and x is number of communication channel by next table:

Measured value	Number of communication channel
temperature	0
relative humidity	1
computed value	2
barometric pressure (CO ₂ concentration)	3
status word (described below)*	4
relay 1 status [0/1]	5
relay 2 status [0/1]	6
binary input 1 status [0/1]	7
binary input 2 status [0/1]	8
binary input 3 status [0/1]	9

* Status word: 16b value return, bite description:

Bit0	0/1	jumper open/closed
Bit1	-	unused
Bit2	0	always 0
Bit3	0/1	relay 1 open/closed
Bit4	0/1	relay 2 open/closed
Bit5	0/1	internal acoustic alarm status
Bit6	0/1	binary input 1 status
Bit7	0/1	binary input 1 status
Bit8	0/1	binary input 1 status
Bit9 to 15	-	unused

7. Error States of the device

Device continuously checks its state during operation. In case error is found LCD displays corresponding error code:

Error 0 - first line of LCD displays „Err0“. Check sum error of stored setting inside device’s memory. This error appears if incorrect writing procedure to device’s memory occurred or if damage of calibration data appeared. At this state device does not measure and calculate values. It is a serious error, contact distributor of the device to fix.

Error 1 - measured or calculated value (except pressure and concentration of CO₂) is over upper limit of allowed full scale range. There is a reading „Err1“ on LCD display. Value read from the device is +999.9. This state appears in case of:

- Measured temperature is higher than approximately 600°C (i.e. high non-measurable resistance of temperature sensor, probably opened circuit).
- Relative humidity is higher than 100%, i.e. damaged humidity sensor, or humidity calculation of humidity is not possible (due to error during temperature measurement).
- Computed value – calculation of the value is not possible (error during measurement of temperature or relative humidity or value is over range).

The value of pressure +999.9 hPa or value of concentration CO₂ 9999 ppm are correct values!

Error 2 - there is a reading „Err2“ on LCD display. Measured or calculated value is below lower limit of allowed full scale range. Value read from the device is -999.9. This state appears in case of:

- Measured temperature is lower than approximately -210°C (i.e. low resistance of temperature sensor, probably short circuit).
- Relative humidity is lower than 0%, i.e. damaged sensor for measurement of relative humidity, or calculation of humidity is not possible (due to error during temperature measurement).
- Measured pressure value **with added correction for altitude** is outside of range from 300 hPa to 1350 hPa (from 4.351 PSI to 19.580 PSI) or the pressure sensor is damaged. Please check setting of pressure correction for altitude with User's software.
- Computed value – calculation of computed value is not possible (error during measurement of temperature or relative humidity).

Error 3 - there is a reading „Err3“ on LCD display upper line. Error of internal A/D converter appeared (converter does not respond, probably damage of A/D converter). This error does NOT affect pressure and concentration of CO₂ measurement. Rest values are NOT measured. It is a serious error, contact distributor of the device.

Error 4 - there is a reading „Err4“ on LCD display. It is internal device error during pressure sensor or concentration CO₂ sensor initialization. Under this condition device does NOT measure atmospheric pressure (concentration of CO₂). Value read from device is -9999 (concentration of CO₂) or -999.9 (pressure). Pressure sensor (CO₂ sensor) is probably damaged. It is a serious error, contact distributor of the device.

Error 5, 6 - there is problem with assigned value to output relay, there is some wrong setting (mismatch). This error appears if incorrect writing procedure to device's memory occurred.

Error 9 - inserted password is not valid, there is shown for short time message “Err9” on LCD display.

8. Readings on LCD display

°C, °F reading next to this symbol is measured temperature or error state of value

%RH reading next to this symbol is measured relative humidity or error state of value

CO₂ ppm reading next to this symbol is measured concentration of CO₂ or error state of value.

Blinking symbol „CO₂ ppm“ on LCD indicates internal autocalibration of CO₂ sensor running. It runs automatically each 24 hours and takes about 90 s.

hPa, PSI, inHg reading next to this symbol is measured pressure or error state of value. If selected pressure unit is **mBar** or **oz/in²** or **mmHg** or **inH₂O** or **kPa**, there is shown only value (number) without corresponding pressure unit!

°C / °F DP reading next to this symbol is calculated dew point temperature or error state of value

g/m³ reading next to this symbol is calculated absolute humidity or error state of value

g/kg reading next to this symbol is calculated specific humidity or mixing ratio (depends on device setting) or error state of value

3 this symbol is on if jumper is closed

If specific enthalpy is selected, there is shown only value (number) without corresponding unit.

9. Preventive maintenance and calibration

Pay heed to recommended calibration interval. Do not subject the device to mechanical stress.

Recommended calibration intervals:

- ST485-101 2 years
- STR485-102 1 year
- STR485-104(P) 1 year
- STR485-103 1 year
- ST485-101E 2 years
- AT-VLS-101DRS 2 years
- AT-VLS-102DRS 1 year
- STRP485-102 1 year
- STRP485-104 1 year

10. Technical specification

10.1. Technical parameters

10.1.1. Common parameters

Power voltage: 9 to 30 V DC

Power consumption: approx. 1 W + consumption of sensors and detectors connected to +U terminals

Measuring interval: temperature, relative humidity 0,5s

barometric pressure 2s

concentration of CO₂ 15s

Display switching interval: 4 s (when more than two values are displayed)

RS485 interface: receiver – input resistance 96kΩ
max. 256 devices on bus

Protection: ST485-101, ST485-101E IP65

STRP485-102, STRP485-104 IP54, sensors are located in cover with

IP40 protection

H5524 IP30

AT-VLS-102DRS IP30, sensors are located in cover with IP40 protection

STR485-102, STR485-103, STR485-104(P) IP65, sensors are located in cover with IP40 protection

Binary inputs:

Amount: 3

Signal for binary input: from floating contact or binary voltage

Caution! Binary inputs are NOT galvanic isolated!

Minimal input pulse duration: 500 ms (detection of shorter pulses is not guaranteed)

Current through closed contact: 25 μ A

Open contact voltage: < 3,3 V

Maximal input voltage: +30 V

Low level input voltage: 0 to +0,5 V

Hi level input voltage: +3,0 to +30 V

Auxiliary power supply +U: 9 to 30 V DC (the same as device power voltage), overall current max. 500 mA

Cable for input signal wiring: shielded, max. 10 m long, cable should not be led in parallel along power cabling.

Relay outputs:

Amount: 2

Maximal voltage: 50 V

Maximal current: 2A

Maximal power: 60 VA

Relays contact is not designed for direct control of line voltage!

(output relay contact parameters: max 220Vdc, 125Vac, 2A, 60 W, 62.5 VA)

EMC: EN 61326-1, EN 55011

10.1.2. ST485-101 - temperature regulator

Accuracy: $\pm 0,4$ °C ($\pm 0,7$ °F)

Range: -30 to +80 °C (-22 to 176 °F)

Resolution: 0,1 °C (0,2 °F)

10.1.3. STR485-102 - relative humidity and temperature regulator

Temperature:

Accuracy: $\pm 0,4$ °C ($\pm 0,7$ °F)

Range: -30 to +80 °C (-22 to 176 °F)

Resolution: 0,1 °C (0,2 °F)

Relative humidity:

(reading is temperature compensated at entire temperature range)

Accuracy: $\pm 2,5$ %RH from 5 to 95 %RH at 23 °C (73,4 °F)

Range: 0 to 100 %RH

Resolution: 0,1 %RH

Measuring temperature and humidity range is limited in accordance with the graph below!

10.1.4. STR485-104(P) - temperature and humidity regulator

Temperature:

Accuracy: $\pm 0,4$ °C ($\pm 0,7$ °F)
Range: -30 to +105 °C (-22 to 221 °F), includes probe cable
Resolution: 0,1 °C (0,2 °F)

Relative humidity:

(reading is temperature compensated at entire temperature range)
Accuracy: $\pm 2,5$ %RH from 5 to 95 %RH at 23 °C (73,4 °F)
Range: 0 to 100 %RH
Resolution: 0,1 %RH

Measuring temperature and humidity range is limited in accordance with the graph below!

Response time with stainless steel mesh sensor cover (F5200B) and bronze sensor cover (F0000 - selectable option), air flow approximately 1 m/s:

temperature: STR485-104 $t_{90} < 6$ min (temperature step 20 °C (36 °F))
STR485-104S $t_{90} < 16$ min (temperature step 20 °C (36 °F))
relative humidity: $t_{90} < 30$ s (humidity step 65 %RH, constant temperature)

10.1.5. STR485-103 - relative humidity and temperature regulator

Temperature:

Accuracy: $\pm 0,4$ °C ($\pm 0,7$ °F)
Range: -30 to +125 °C (-22 to 257 °F)
Resolution: 0,1 °C (0,2 °F)

Relative humidity:

(reading is temperature compensated at entire temperature range)
Accuracy: $\pm 2,5$ %RH from 5 to 95 %RH at 23 °C (73,4 °F)
Range: 0 to 100 %RH
Resolution: 0,1 %RH

Measuring temperature and humidity range is limited in accordance with the graph below!

Response time with stainless steel mesh sensor cover (F5200) and bronze sensor cover (F0000 - selectable option), air flow approximately 1 m/s:

temperature: $t_{90} < 9$ min (temperature step 20 °C (36 °F))
relative humidity: $t_{90} < 30$ s (humidity step 65 %RH, constant temperature)

10.1.6. ST485-101E - temperature regulator, external probe

Probe: two wires connection external temperature sensor Pt1000/3850 ppm
connected by shielded cable of maximum length 10m
Measuring temperature range: -200 to +600 °C (-328 °F to 998.6 °F)
(can be limited by applied temperature probe model)
Resolution: 0,1 °C (0,2 °F)
Accuracy: $\pm 0,2$ °C ($\pm 0,4$ °F) without probe

10.1.7. AT-VLS-101DRS - CO₂ regulator

Concentration of CO₂:

Accuracy: $\pm (50$ ppm + 2 % of measuring value) at 25°C (77°F) and 1013 hPa
Range: 0 to 2000 ppm

Temperature dependence: typ. 2 ppm CO₂ / °C in the range 0 to 50 °C (32 to 122°F)
 Long term stability: 20 ppm / year
 Resolution: 1 ppm
Response time: t₉₀ < 195 s in „SLOW“ measurement mode
 t₉₀ < 75 s in „FAST“ measurement mode

10.1.8. AT-VLS-102DRS – temperature, relative humidity and CO₂ regulator

Temperature:

Accuracy: ± 0,4 °C (±0,7 °F)
 Range: -30 to +80 °C (-22 to 176 °F)
 Resolution: 0,1 °C (0,2 °F)

Relative humidity:

Accuracy: ± 2,5 %RH from 5 to 95 %RH at 23 °C (73,4 °F)
 Range: 0 to 100 %RH, temperature compensated
 Resolution: 0,1 %RH

Concentration of CO₂:

Accuracy: ± (50 ppm + 2 % of measuring value) at 25°C (77°F) and 1013 hPa
 Range: 0 to 2000 ppm
 Temperature dependence: typ. 2 ppm CO₂ / °C in the range 0 to 50 °C (32 to 122°F)
 Long term stability: 20 ppm / year
 Resolution: 1 ppm

Measuring temperature and humidity range is limited in accordance with the graph below

Response time measurement of temperature and relative humidity with stainless steel mesh sensor cover (F5200B) and bronze sensor cover (F0000 - selectable option), air flow approximately 1 m/s:

temperature: t₉₀ < 6 min (temperature step 20 °C (36 °F))
 relative humidity: t₉₀ < 30 s (humidity step 65 %RH, constant temperature)

Response time measurement of CO₂ concentration:

t₉₀ < 195 s in „SLOW“ measurement mode
 t₉₀ < 75 s in „FAST“ measurement mode

10.1.9. STRP485-102 – temperature, relative humidity and barometric pressure regulator

Temperature and relative humidity parameters correspond to H3530 type, barometric pressure parameters corresponds to H7531 type.

10.1.10. STRP485-104 - temperature, relative humidity and Barometric pressure regulator

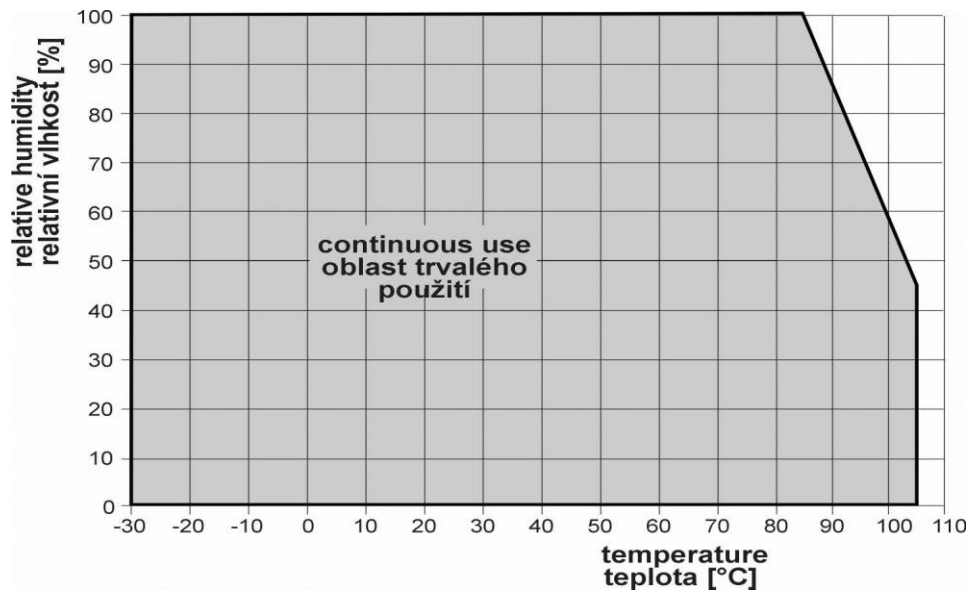
Technical parameters are the same as regulator STR485-104, plus barometric pressure.

Unit	hPa, mBar	PSI	mmHg	inHg	inH ₂ O	oz/in ²	kPa
Range	600	8.70	450.0	17.72	240.9	139.2	60.00
	1100	15.95	825.1	32.48	441.6	255.3	110.0
accuracy							
T=23 °C (T=73,4°F)	±1.3	±0.02	±1.0	±0.04	±0.5	±0.3	±0.13
0≤T≤40°C (32≤T≤104°F)	±1.5	±0.02	±1.1	±0.04	±0.6	±0.3	±0.15

Else	±2.0	±0.03	±1.5	±0.06	±0.8	±0.5	±0.20
------	------	-------	------	-------	------	------	-------

Response time³: pressure t90 <44s

10.1.11. Relative humidity and temperature restriction

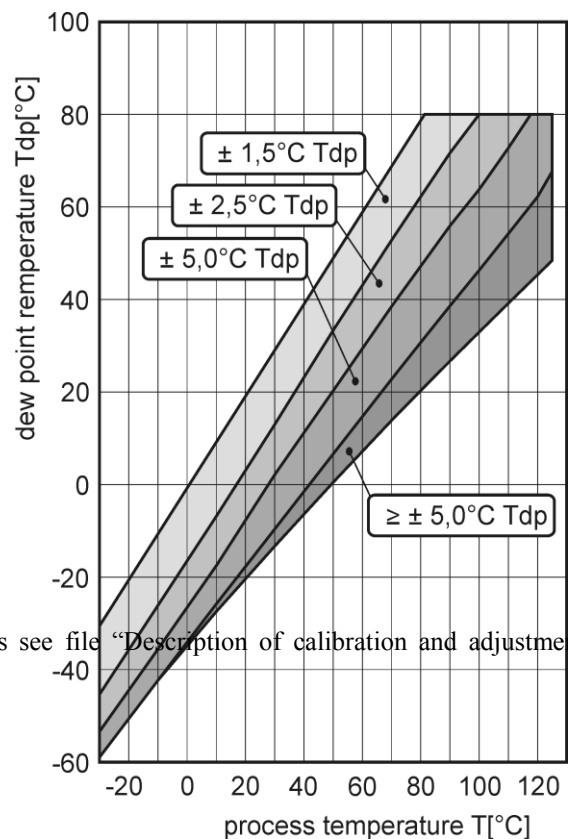
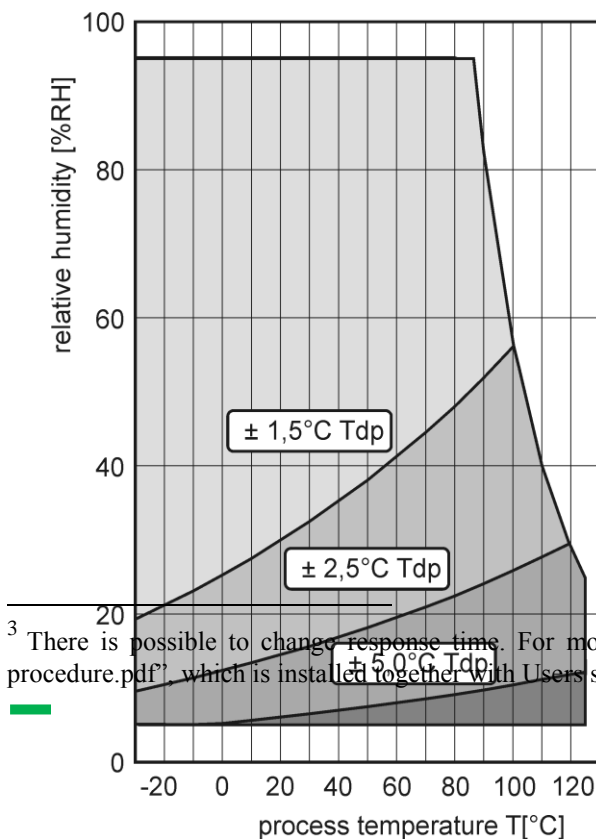


10.1.12. Value computed from measured relative humidity and temperature

Dew point temperature

Range: -60 to +80 °C (-76 to 176 °F)

Accuracy: ±1,5°C (±2,7°F) at ambient temperature $T < 25^\circ\text{C}$ (77°F) and relative humidity $\text{RH} > 30\%$, for more details see graphs below

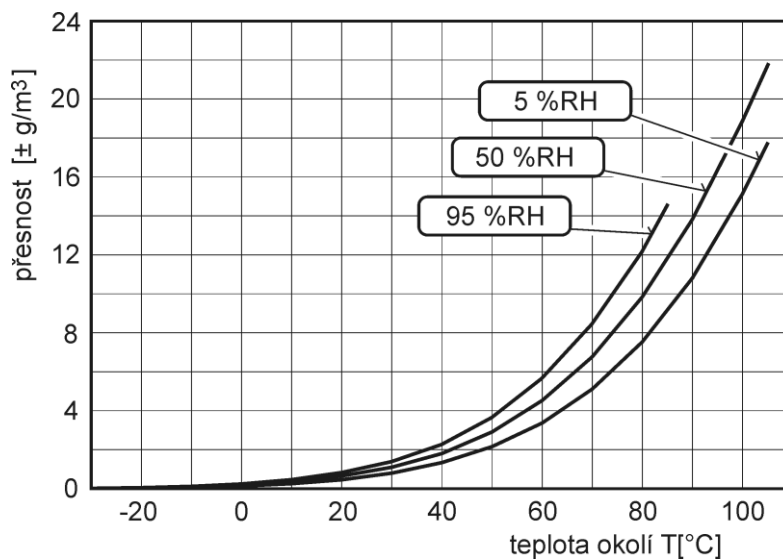


³ There is possible to change response time. For more details see file "Description of calibration and adjustment procedure.pdf", which is installed together with Users software.

Absolute humidity

Range: 0 to 400 g/m³

Accuracy: $\pm 1,5 \text{ g/m}^3$ at ambient temperature $T < 25^\circ\text{C}$ (104 °F), for more details see graph below



Specific humidity⁴

Accuracy: $\pm 2 \text{ g/kg}$ at ambient temperature $T < 35^\circ\text{C}$ (95 °F)

Range: 0 to 550 g/kg

Mixing ratio⁴

Accuracy: $\pm 2 \text{ g/kg}$ at ambient temperature $T < 35^\circ\text{C}$ (95 °F)

Range: 0 to 995 g/kg

Specific enthalpy⁴

Accuracy: $\pm 3 \text{ kJ/kg}$ at ambient temperature $T < 25^\circ\text{C}$ (77 °F)

Range: 0 to 995 kJ/kg⁵

10.2. Operating conditions

Operating temperature and relative humidity:

⁴ This value depends on the atmospheric pressure. For computing is used constant value stored in device memory. Default value preset by manufacturer is 1013hPa and can be changed by user's software.

⁵ This maximum is reached under conditions about 70°C/100%RH or 80°C/70%RH

electronics ST485-101, STR485-102, STR485-104(P), STR485-103, ST485-101E, STRP485-102, STRP485-104:

-30 to +80 °C (-22 to 176 °F), 0 to 100 % RH (without condensation)

electronics AT-VLS-101DRS, AT-VLS-102DRS

-30 to +60 °C (-22 to 140 °F), 5 to 95 % RH (without condensation)

measuring tip with sensors AT-VLS-102DRS: -30 to +80 °C (-22 to 176 °F)

probe STR485-104(P), STRP485-104: -30 to +105°C (-22 to 221°F) probe cable

included, 0 to 100%RH

external probe for ST485-101E: by probe type (not included)

It is recommended to switch off the LCD display at ambient temperatures above 70°C (158 °F) – around electronics.

Operating barometric pressure range AT-VLS-101DRS and AT-VLS-102DRS: 850 to 1100 hPa

Operating pressure range of probe STR485-104S: up to 25 bar

Air flow velocity (STR485-104S probe): up to 25 m/s at a pressure of 1bar (1m/s at a pressure of 25 bar)

Working position:

STR485-104(P), ST485-101E, STRP485-104: negligible

AT-VLS-101DRS: with cable glands upwards

ST485-101, STR485-102, STR485-103, AT-VLS-102DRS, STRP485-102: with sensor cover downwards

Not allowed manipulations: It is not allowed to operate the device under conditions other than specified in technical parameters. Devices are not designed for locations with chemically aggressive environment. Temperature and humidity sensors must not be exposed to direct contact with water or other liquids. It is not allowed to remove the sensor cover to avoid any mechanical damage of the sensors.

Mechanical connection of probe STR485-104S: G1/2 with O-ring

Weight: approximately:

ST485-101, ST485-101E 350 g

STR485-102, STRP485-102 360 g

STR485-103 430 g

AT-VLS-101DRS 340 g

AT-VLS-102DRS 360 g

STR485-104/1m probe, STRP485-104/1m probe 420 g

STR485-104/2m probe, STRP485-104/2m probe 460 g

STR485-104/4m probe, STRP485-104/4m probe 540 g

STR485-104S/1m probe 470 g, STR485-104S/2m probe 510 g, STR485-104S/4m probe 590 g

Dimensions: see dimensional drawings

Material of the case: ABS

Material of the probe STR485-104S: duralumin with the black eloxal surface finish

10.3. End of operation

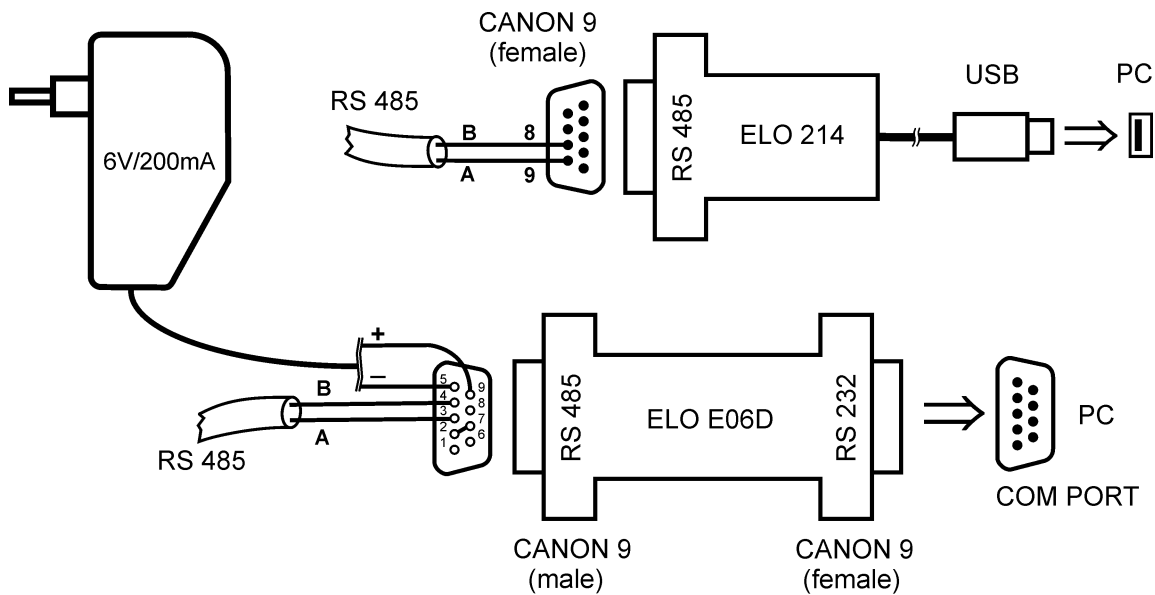
Device itself (after its life) is necessary to liquidate ecologically!

10.4. Technical support and service

Technical support and service is provided by distributor.

11. Appendix A

Connection of ELO E06D (RS232/RS485) and ELO 214 (USB/RS485) converters



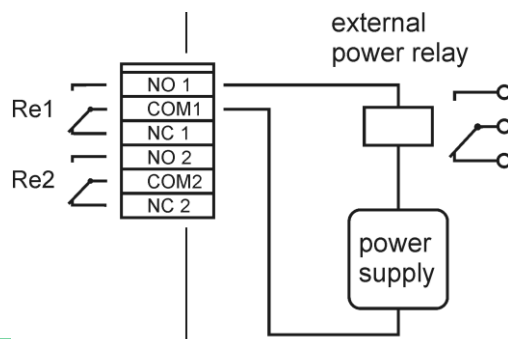
The ELO E06D converter is an optional accessory for connection of transmitter with RS485 interface to the PC via serial port RS232. Connect connector marked RS232 directly to the PC, connect power to connector marked RS485. Power voltage **+6V DC** from an external acdc adapter connect **to pin 9**, **0V** connect **to pin 5**. Also mutually connect pin **2** and pin **7**. Link RS485 is connected across **pin 3 (A+)** and **pin 4 (B-)**.

The ELO 214 converter is an optional accessory for connection of transmitter with RS485 interface to the PC via USB port. Link RS485 is connected across **pin 9 (A+)** and **pin 8 (B-)**.

Connection of external power relay

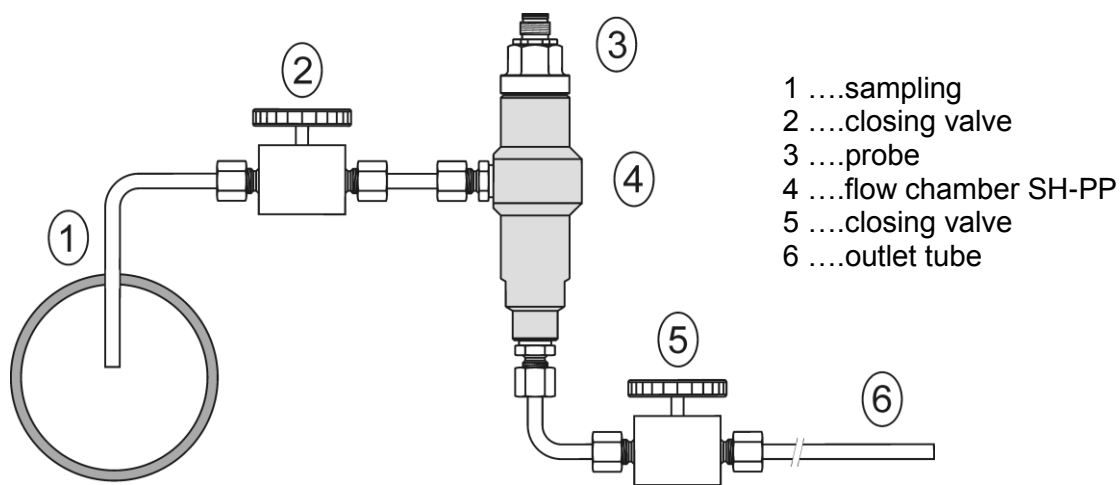
Coil data chart of external power relay:

nominal voltage : max. 50V
 nominal power: max. 60VA
 current: max. 2A



12. Appendix B

The probe for measuring the moisture of compressed air should be placed directly on the pressure pipelines to achieve higher measurement accuracy and fast response times. But there are cases where such placement is not possible. The reason is the high air speed, high temperature, high pollution, small diameter pipes, etc. Such situation can be solved by placing the probe into the flow measuring chamber. The picture shows the basic layout of the sampling system with chamber SH-PP.



sampling (1) - end of the tube placed in the centre of pressure pipelines (distribution of moisture in the pipe cross-section is not homogeneous). To achieve fast response times to shorten the length of the sample tubes to a minimum (few meters).

closing valve (2) - allows access to the sample system without interrupting the main line

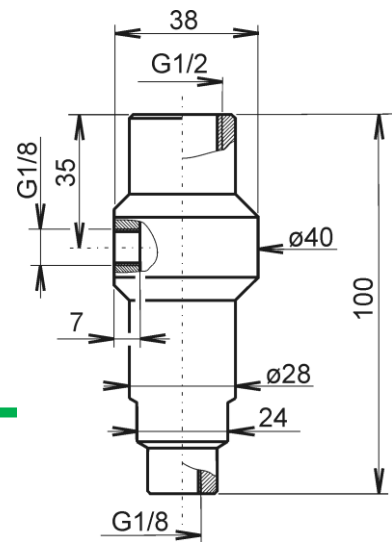
closing valve (5) - the sample flow is regulated by this valve. Measurement accuracy is typically not affected by the sample flow rate, but at low speeds, increasing response time.

outlet tube (6) - if the measured sample of air is released into the atmosphere, select the length of the outlet tube of 1.5 m (recommended for tube diameter 6mm). The reason is to ensure the accuracy of the sample in the flow chamber and avoid back diffusion of moisture from the ambient air..

That basic structure of sampling system can be supplemented with filters, coolers, flow measurement, pressure measurement, etc. For the accurate operation of sampling system is important to ensure perfect tightness of all connections and to use corrosion-resistant materials. Tube inclination is chosen so as to avoid the accumulation of fluid in the system.

Technical specification – flow chamber SH-PP

Material of flow chamber: stainless steel



Inlet and outlet connection: (DIN 1.4301)
Probe connection: G1/8
Sample flow rate: G1/2
Operating pressure: 0.1 to 3 l/min
Weight: up to 25 bar
580 g

Note: Screw-coupling not included